

# C160 RWA

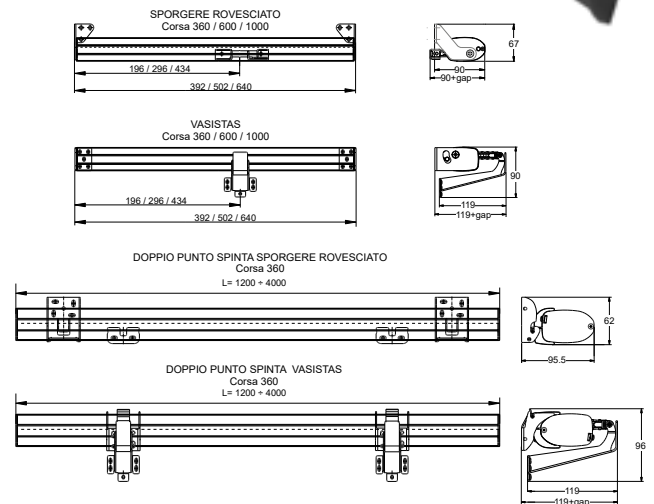


Chain actuator  
Thrust force 300N  
Stroke 360mm - 600mm - 1000mm



## DESCRIPTION FOR TECHNICAL SPECIFICATIONS

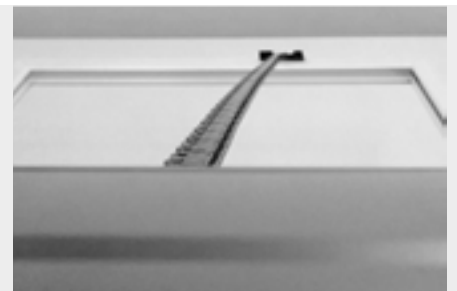
Electric actuator Topp model C160 RWA with double-link chain, enclosed in an elegant die-cast aluminium profile, complete with brackets and accessories for bottom hinged windows opening outside for smoke evacuation systems. Operation at 24V according to the EN12101-2 European Standard about smoke and heat evacuation systems. Max applicable load 300N. Available strokes: 360mm – 600mm – 1000mm. CE marked.



Elegant and attractive aluminium profile with swivel brackets versatile and easy to install.



Available also for installation on side hung windows.



Long chain up to 1 meter enclosed in a slim housing (actuator 656mm wide).

## TECHNICAL CHARACTERISTICS

	C160 360	C160 600	C160 1000
Power voltage:		24V	
Max applicable load in thrust	300 N	300 N	50 N
Max applicable load in traction	200 N	185 N	185 N
Corsa applicazione sporgere	360 mm	600 mm	1000 mm
Corsa applicazione vasistas	322 mm	562 mm	962 mm
Absorbed current	0,43 A	0,60 A	0,60 A
Idle translation speed	7,5 mm/s	9,5 mm/s	9,5 mm/s
Duration of the idle stroke *	48 s	60 s	105 s
Service type		S2 of 4 min	
Operating temperature		-5°C +50°C	
Protection Class		IP 30	
Regolazione dell'attacco all'infisso		not necessary	
Parallel connection option		YES	
Possibilità di doppio punto di spinta sulla stessa finestra	YES	NO	NO
Stroke end		Electronic in opening, by amperometric absorption in closing	

\* Version for RWA application: max opening time 60s.

**CODE PRODUCT DESCRIPTION**



**C160 standard 1 push point**

3E22#000006488	C160 24V RWA stroke 360mm Bottom-hung with opening outwards application
3E22#000006331	C160 24V stroke 360mm Bottom-hung application
3E21#000006434	C160 24V RWA stroke 600mm Bottom-hung with opening outwards application
3E20#000005750	C160 24V stroke 600mm Bottom-hung application
3E23#000006429	C160 24V RWA stroke 1000mm Bottom-hung with opening outwards application
3E12#000006486	C160 24V stroke 1000mm Bottom-hung application

**C160 standard dual push point (Length 1200mm a 1500mm) stroke 360mm**

C160 24V RWA dual push point stroke 360mm  
Bottom-hung application  
C160 24V RWA dual push point stroke 360mm  
Bottom-hung with opening outwards application

**C160 standard dual push point (Length 1510mm a 2000mm) stroke 360mm**

3E12#000006487	C160 24V RWA dual push point stroke 360mm Bottom-hung application
3E12#000006489	C160 24V RWA dual push point stroke 360mm Bottom-hung with opening outwards application

**C160 standard dual push point (Length da 2010mm a 2500mm) stroke 360mm**

C160 24V RWA dual push point stroke 360mm  
Bottom-hung application  
C160 24V RWA dual push point stroke 360mm  
Bottom-hung with opening outwards application

**C160 standard dual push point (Length 2510mm a 3000mm) stroke 360mm**

C160 24V RWA dual push point stroke 360mm  
Bottom-hung application  
C160 24V RWA dual push point stroke 360mm  
Bottom-hung with opening outwards application

**C160 standard dual push point (Length 3010mm a 4000mm) stroke 360mm**

C160 24V RWA dual push point stroke 360mm  
Bottom-hung application  
C160 24V RWA dual push point stroke 360mm  
Bottom-hung with opening outwards application

**Description of the standard pattern for 1 push point.**

**Bottom-hung outward opening application**

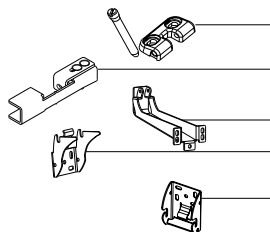
3E21#000006434	C160 chain actuator 24V - RWA version stroke 600mm Iron hooking device for top-hung and bottom hung (outwards opening) for C60 and C160 RWA 600/1000 stroke Couple of swivel frontal brackets C160 RWA
----------------	---

**Description for dual push point solution**

**Bottom-hung outward opening application**

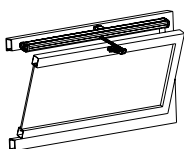
C160 chain actuator 24V - RWA version stroke 3600mm  
Frontal bracket for top hung windows (window opening min 1500mm)  
for C160 dual push point stroke 360mm (2pcs)  
Clamps for top hung windows (zinc-plated) for C160 dual push point  
stroke 360mm (2pcs)  
Hooking device for top-hung and bottom hung (outwards opening)  
for C160 360 stroke (2pcs)

**Accessories and spare parts**

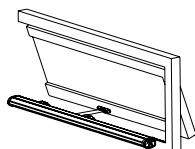


3A3050	Hooking device for top-hung and bottom hung (outwards opening) for C160 stroke 360mm
3E3100	Iron hooking device for top-hung and bottom hung (outwards opening) for C60 and C160 600/1000 stroke
1E2804	Bottom-hung bracket C160 single push point
1A5800	Bottom-hung bracket C160 dual push point stroke 360mm
1A5832	Bracket for bottom hung application C160 dual push point stroke 360mm
1A5829	Bracket for bottom-hung outward opening application C160 dual push point 360mm

Special stroke < 1000 mm available



Bottom-hung windows



Top-hung windows



Cupolas and skylights