

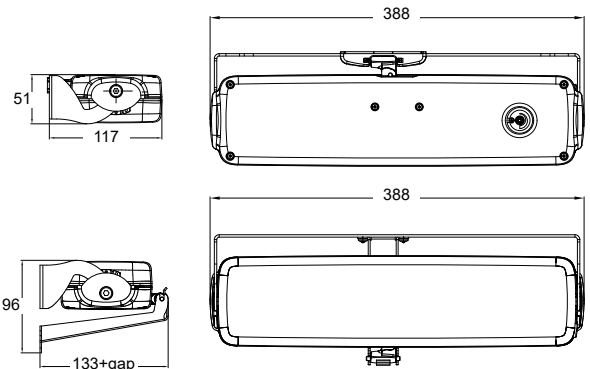
C40

Chain actuator
Thrust force 400 N
Adjustable stroke max. 500mm

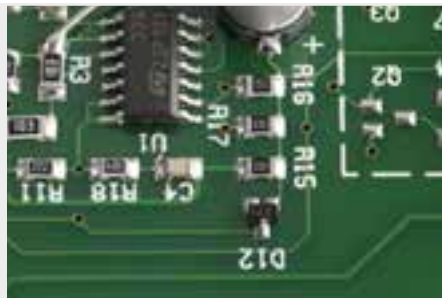


DESCRIPTION FOR TECHNICAL SPECIFICATIONS

Electric C40 actuator with double link articulated chain, enclosed in a special casing, with different mounting accessories for top and bottom hung windows. Operation at 230V 50Hz or, as an alternative, at 24V DC. Maximum applicable load 400N. Fast hooking and unhooking system of the chain to the window. Max. stroke 500mm, end of stroke adjustable at 100, 150, 200, 205, 300, 350, 400 mm by an external knob located on both sides of the actuator. Electronic device with acoustic warning to signal erroneous installation to the user. Electronic traction control speed reduction, during the last 100mm of closing action. High protection IP 55 rated. Upon request, a preset "S" version for the synchronous operation of more actuators on the same window is available. CE marked device.



Easy stroke adjustment (7 positions from 100 to 500mm)



Electronic traction control speed reduction to avoid chain adjustments in closing and avoid any possible installation mistake



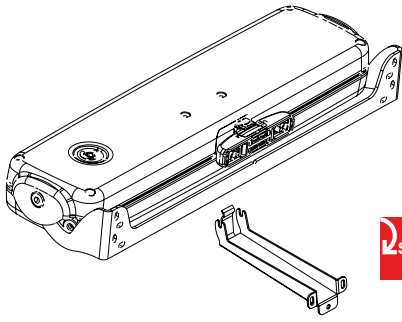
High protection IP 55 rated

TECHNICAL CHARACTERISTICS

	C40 230V	C40 24V
Power supply voltage	230V ~ 50Hz	24V DC
Maximum applicable load in thrust		400 N
Maximum applicable load in traction		400 N
Strokes	100 - 150 - 200 - 250 - 300 - 400 - 500 mm	
Absorbed current	0,24 A	1,1 A
Idle translation speed	18,5 mm/s	10,5 mm/s
Duration of the idle stroke	27 s	48 s
Double insulated	YES	-
Service Type	S2 of 5 min	S2 of 8 min
Operating temperature	-5°C +50°C	
Protection Class	IP 55	
Adjustment of the window frame hooking system	not necessary	
Parallel connection option	YES	
Synchronous operation of more actuators on the same window	with S version	
Chain position control	YES	
Stroke end	Electronic in opening, by amperometric absorption in closing	
Electronic device with acoustic warning to signal erroneous installation (buzzer)	YES	
Dimensions	387,6x95x50 mm	
Weight**	1,9 kg	

** The weight indicated may vary according to the chosen accessories

CODE PRODUCT DESCRIPTION



C40 standard 1 push point

3A29901	C40 chain actuator 230V - black
3A29903	C40 chain actuator 230V - grey
3A29902	C40 chain actuator 230V - white
3A29951	C40 chain actuator 24V - black
3A29953	C40 chain actuator 24V - grey
3A29952	C40 chain actuator 24V - white



C40 synchronised for more push points on the same window frame (Frame width > about 1,80m)

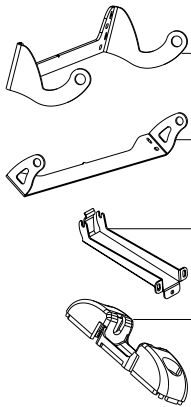
3A22#000005566	C40S Chain actuator 230V black
3A22#000005567	C40S Chain actuator 230V grey
3A22#000005568	C40S Chain actuator 230V white
3A22#000005569	C40S Chain actuator 24V black
3A22#000005570	C40S Chain actuator 24V grey
3A22#000005571	C40S Chain actuator 24V white

Description of the standard pattern for 1 push point

3A29901	C40 chain actuator C40 230V (spare parts included)- black
	Swivel frontal bracket for top/bottom hung windows - black
	Upper bracket for bottom hung windows - black
	ARS Rapid hooking device to the frame - black

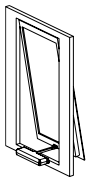
Description of the standard pattern for 2 push points

3A22#000005566	C40S chain actuator 230V black 5mt cable
3A22#000005566	C40S chain actuator 230V black 5mt cable



Accessories and spare parts

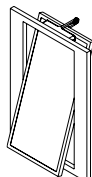
1A2600	Swivel frontal bracket for top/bottom hung windows - black
1A2602	Swivel frontal bracket for top/bottom hung windows - grey
1A2601	Swivel frontal bracket for top/bottom hung windows - white
1A2610	Swivel bracket for vertical mounting - black
1A2612	Swivel bracket for vertical mounting - grey
1A2611	Swivel bracket for vertical mounting - white
1A2620	Upper bracket for bottom hung windows - black
1A2622	Upper bracket for bottom hung windows- grey
1A2621	Upper bracket for bottom hung windows - white
1UA001	ARS Rapid hooking device to the frame - black
1UA003	ARS Rapid hooking device to the frame - grey
1UA002	ARS Rapid hooking device to the frame - white



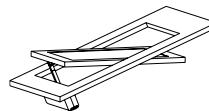
Top-hung windows



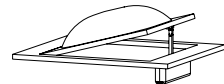
Bottom-hung windows



Bottom-hung windows



Skylights, roof windows



Cupolas