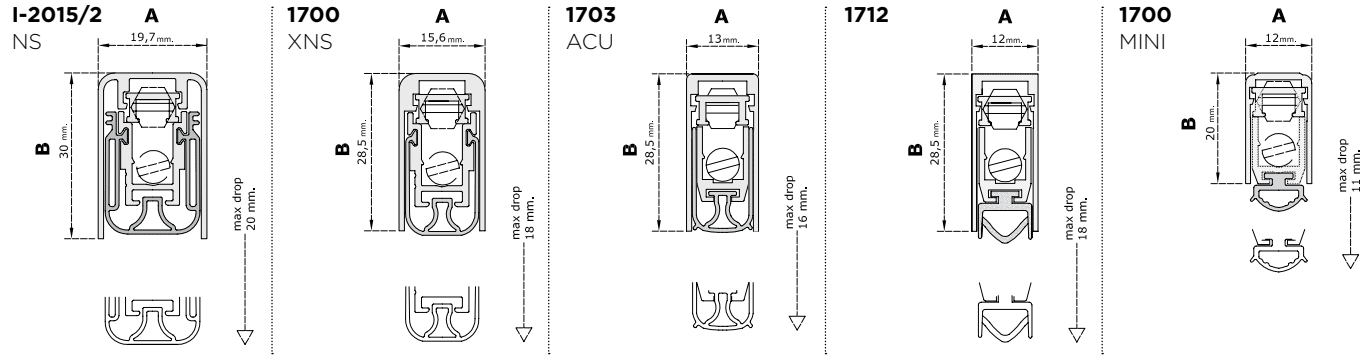
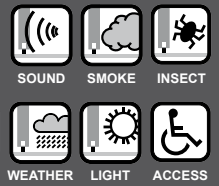
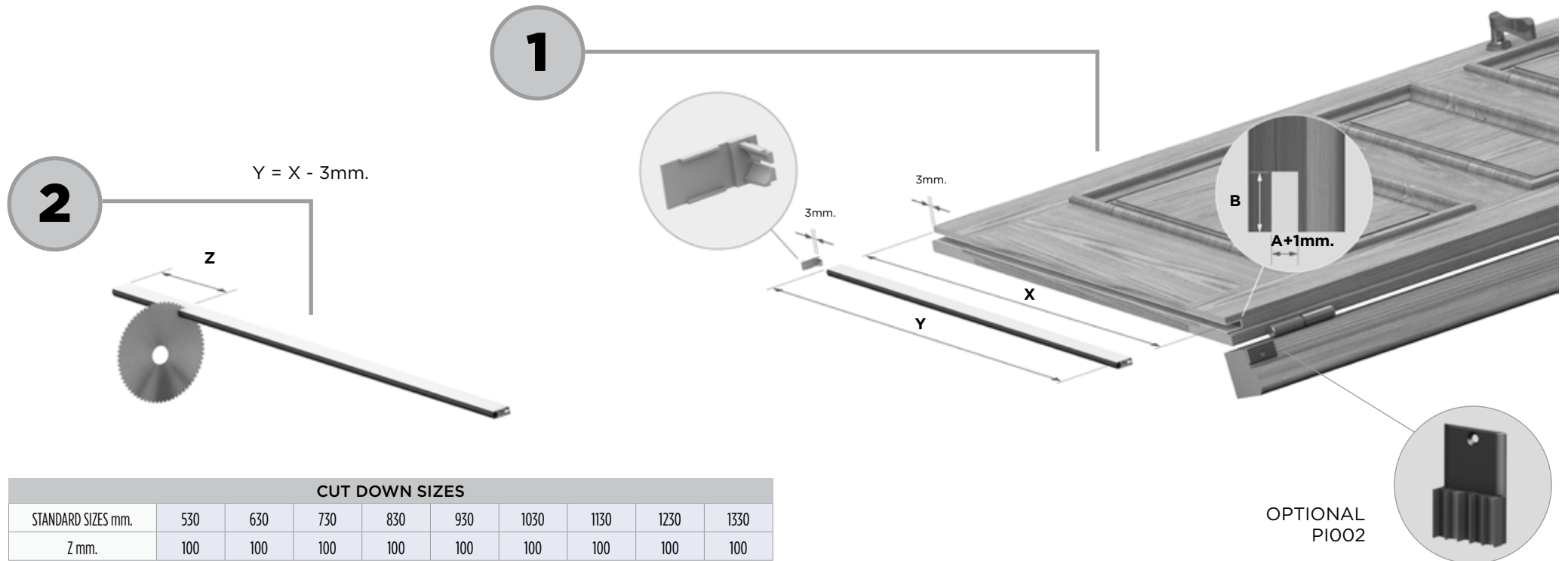


# FITTING INSTRUCTIONS

## TRADITIONAL FASTENING



### TOOLS REQUIRED



### CUT DOWN SIZES

| STANDARD SIZES mm. | 530 | 630 | 730 | 830 | 930 | 1030 | 1130 | 1230 | 1330 |
|--------------------|-----|-----|-----|-----|-----|------|------|------|------|
| Z mm.              | 100 | 100 | 100 | 100 | 100 | 100  | 100  | 100  | 100  |

# FITTING INSTRUCTIONS

## TRADITIONAL FASTENING

